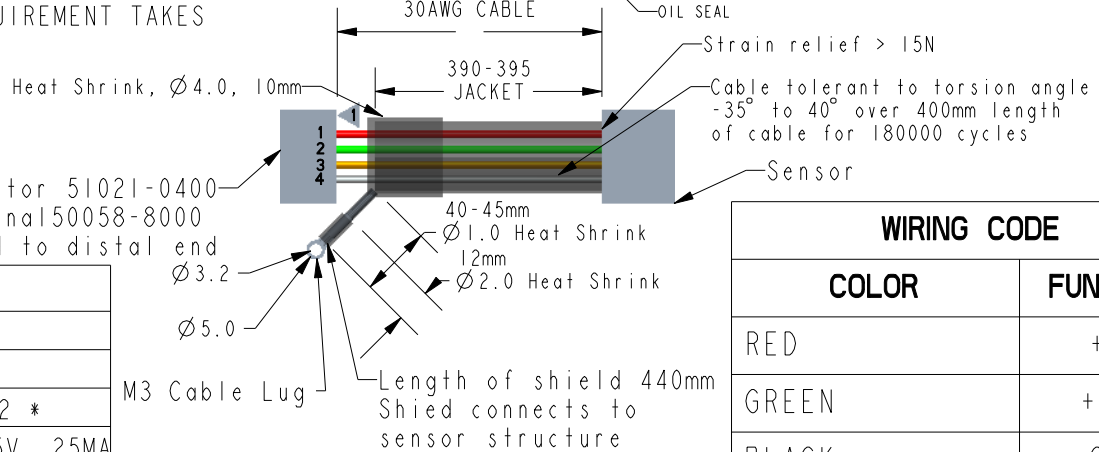


NOTES

1. THE OVERLOAD CAPACITIES FOR BENDING MOMENT, AXIAL AND RADIAL FORCE EXCEED 300% OF THOSE USED FOR CROSSTALK MEASUREMENT
2. THE FINISHED ASSEMBLY MUST CONFORM TO IPC/WHMA-A-620 CLASS 2 OR HIGHER (CURRENT REVISION WHERE APPLICABLE)
3. CRIMP CONNECTIONS MUST MEET MANUFACTURER RECOMMENDATIONS, IN CASE OF CONFLICT WITH NOTE 2. THIS REQUIREMENT TAKES PRECEDENCE
4. MATERIAL - FLEXURE: 17-4PH
5. MATERIAL - OIL SEAL: SILICON SHEET
6. MATERIAL - POTTING: SILICON TSE399
7. Insulation Resistance >5G
8. RoHS Directive 2015/863 amending 2011/65EU

Molex Connector 51021-0400
Crimp terminal 50058-8000
Crimped to distal end



DRAWING IN THIRD ANGLE PROJECTION

* WHEN PWR SUPPLY IS 4.5V, OUTPUT WILL BE $2.25 \pm 1.75V$

WIRING CODE	
COLOR	FUNCTION
RED	+EX
GREEN	+SIG
BLACK	GND
BROWN	-SIG

SPECIFICATIONS	
CAPACITY (Nm)	150
OVERLOAD CAPACITY (%F.S.)	250
OUTPUT @ F.S. (V) NOMINAL	2.5 ± 2 *
POWER SUPPLY (V)	4.5-5V, 25MA
BRIDGE RESISTANCE (Ω) NOMINAL	350
NON-LINEARITY (%F.S.)	0.5
HYSTERESIS (%F.S.)	1.0
OPERATING TEMP. RANGE (°C)	-20 TO +85
CROSSTALK (%F.S.)	1.0
AXIAL FORCE FOR CROSSTALK (N)	500
RADIAL FORCE FOR CROSSTALK (N)	500
BENDING MOMENT FOR CROSSTALK (Nm)	50
TORSION ANGLE (CALCULATED)	0.05°
TORSIONAL STIFFNESS (KNm/RAD)	170
MASS (KG)	0.32

SUNRISE INSTRUMENTS
www.srisensor.com

SINGLE AXIS TORQUE LOADCELL
D84MM, 150 Nm, FOR MEDTRONIC ONLY

UNLESS OTHERWISE SPECIFIED DIMENSIONS ARE IN MM	M2210G1	REV. B7
---	---------	------------